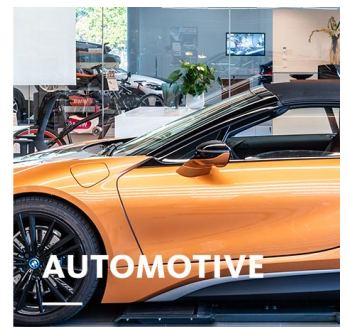
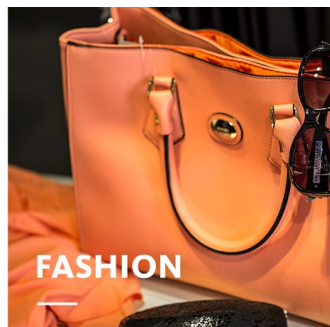




NIMBUS VARIO PLUS

RECESSED LUMINAIRE

High luminous flux with homogeneous light distribution and light incidence flush with the ceiling: NIMBUS VARIO PLUS efficiently illuminates the target surface. This wallwasher can be flexibly adjusted to match the individual ceiling height and merchandise presentation.



NIMBUS VARIO PLUS

oktalite

www.oktalite.com/nimbus-vario-plus-r

Type of luminaire	recessed luminaire
Application areas	Wide-area merchandise illumination
Pan/tilt range	9 lockable levels, can be swivelled to 45°
Mounting	spring mounting
Ceiling thickness	1 - 25 mm
Lighting technology	LED
LED Luminous Flux Class	1500 lm - 4000 lm
Light colour White	2700 K, 3000 K, 3000 K - Efficient White, 3000 K - Brilliant Colour, 3500 K, 4000 K
Light colour Food*	M, M+F, BF
Cooling	passive
Supply unit	Driver separate
Luminaire colour	RAL 9005 jet black RAL 9006 white aluminium RAL 9016 traffic white Special colours on request
Surface	structure powder-coated
Nominal voltage	220 - 240 V, 50/60Hz
Lighting controls	on request
Weight	Approx. 1.8 kg
Components	



Luminaire housing

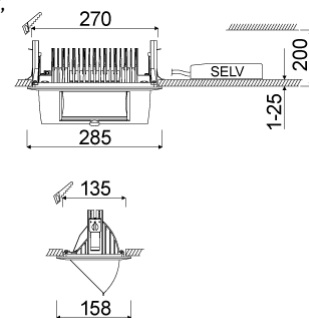


Supply unit

Test seal



* M = Meat,
M = Meat, F = Fish,
BF = Brilliant Food



Technical details as well as weight specifications and measurements have been prepared with care. Errors excepted. All dimensions in mm · LED service life data: L80/B10 at ambient temperature (ta) 25°C. Rated lamp service life 50,000h. Luminous flux and efficiency specifications are subject to a tolerance of +/- 10%. Min CRI Ra: >80 / >90· Product images are used as an example and may differ from the original · We reserve the right to make changes, insofar as they serve progress. The Single Lighting Regulation (SLR) documentation can be found in our download area. Oktalite Lichttechnik GmbH · Mathias-Brüggen-Str. 73 · 50829 Cologne · T 49 221 59767-0 · F 49 221 59767-40 · mail@oktalite.com · www.oktalite.com · 2022-11-07

**NIMBUS VARIO PLUS****oktalite**

LED Luminous Flux Class	Light colour	CRI R _a	system luminous flux	System performance	Order number		
					white	silver	black
2000 lm	3000 K - Efficient White	94	2155 lm	17 W	10187868	10187869	10187870
	3000 K - Brilliant Colour	97	2040 lm	21 W	10187877	10187878	10187879
3000 lm	2700 K	81	2865 lm	21 W	10187862	10187863	10187864
	3000 K	83	2945 lm	21 W	10187865	10187866	10187867
	3000 K - Efficient White	94	3005 lm	25 W	10187868	10187869	10187870
	3000 K - Brilliant Colour	97	2965 lm	32 W	10187877	10187878	10187879
	3500 K	85	3005 lm	21 W	10187871	10187872	10187873
	4000 K	83	3105 lm	21 W	10187874	10187875	10187876
4000 lm	2700 K	81	3750 lm	28 W	10187862	10187863	10187864
	3000 K	83	3855 lm	28 W	10187865	10187866	10187867
	3000 K - Efficient White	94	3930 lm	34 W	10187868	10187869	10187870
	3000 K - Brilliant Colour	97	3925 lm	46 W	10187877	10187878	10187879
	3500 K	85	3930 lm	28 W	10187871	10187872	10187873
	4000 K	83	4060 lm	28 W	10187874	10187875	10187876
1500 lm	M	-	1605 lm	23 W	10187853	10187854	10187855
	M+F	-	1490 lm	23 W	10187856	10187857	10187858
2000 lm	M	-	2055 lm	30 W	10187853	10187854	10187855
	M+F	-	1910 lm	30 W	10187856	10187857	10187858
	BF	-	1920 lm	19 W	10213477	10213478	10213479
3000 lm	M	-	2860 lm	46 W	10187853	10187854	10187855
	M+F	-	2665 lm	46 W	10187856	10187857	10187858
	BF	-	2885 lm	30 W	10213477	10213478	10213479
4000 lm	BF	-	3615 lm	40 W	10213477	10213478	10213479

Efficient White: R₉ = 75, R_r = 91, R_g = 102Brilliant Colour: R₉ = 94, R_r = 95, R_g = 104

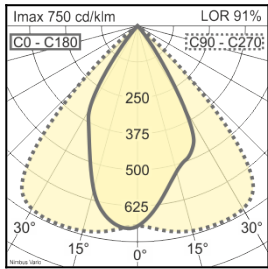
Technical details as well as weight specifications and measurements have been prepared with care. Errors excepted. All dimensions in mm · LED service life data: L80/B10 at ambient temperature (ta) 25°C. Rated lamp service life 50,000h. Luminous flux and efficiency specifications are subject to a tolerance of +/- 10%. Min CRI Ra: >80 / >90 · Product images are used as an example and may differ from the original · We reserve the right to make changes, insofar as they serve progress. The Single Lighting Regulation (SLR) documentation can be found in our download area. Oktalite Lichttechnik GmbH · Mathias-Brüggen-Str. 73 · 50829 Cologne · T 49 221 59767-0 · F 49 221 59767-40 · mail@oktalite.com · www.oktalite.com · 2022-11-07

Optic NIMBUS - LED

oktalite

Optic folding reflector
 Type Optic integrated

Beam angle	Cover	LOR
Wall Washer	without	91 %



Technical details as well as weight specifications and measurements have been prepared with care. Errors excepted. All dimensions in mm · LED service life data: L80/B10 at ambient temperature (ta) 25°C. Rated lamp service life 50,000h. Luminous flux and efficiency specifications are subject to a tolerance of +/- 10%. Min CRI Ra: >80 / >90 · Product images are used as an example and may differ from the original · We reserve the right to make changes, insofar as they serve progress. The Single Lighting Regulation (SLR) documentation can be found in our download area. Oktalite Lichttechnik GmbH · Mathias-Brüggen-Str. 73 · 50829 Cologne · T 49 221 59767-0 · F 49 221 59767-40 · mail@oktalite.com · www.oktalite.com · 2022-11-07



Supply unit - LED

Driver

oktalite

Version	Independent control gear
Connection type	Pre-wired plug-in connectivity
Mains connection	GST 18i3
Cable length secondary	400 mm
Nominal voltage	220 - 240 V, 50/60Hz
protection	IP20
protection class	I, II
Lighting controls	on request
Lighting technology	LED

Lighting technology	Luminaire connection	Output	System performance	max. luminaires B16	Order number
LED	RNV	450 mA	17 W	49	10211947
LED	RNV	500 mA	19 W	49	10211948
LED	RNV	550 mA	21 W	25	10211949
LED	RNV	600 mA	23 W	25	10211950
LED	RNV	650 mA	25 W	25	10211951
LED	RNV	750 mA	28 W	25	10211953
LED	RNV	800 mA	30 W	28	10259144
LED	RNV	850 mA	32 W	25	10211955
LED	RNV	900 mA	34 W	28	10259145
LED	RNV	1050 mA	40 W	25	10211958
LED	RNV	1200 mA	46 W	30	10185634

Technical details as well as weight specifications and measurements have been prepared with care. Errors excepted. All dimensions in mm · LED service life data: L80/B10 at ambient temperature (ta) 25°C. Rated lamp service life 50,000h. Luminous flux and efficiency specifications are subject to a tolerance of +/- 10%. Min CRI Ra: >80 / >90 · Product images are used as an example and may differ from the original · We reserve the right to make changes, insofar as they serve progress. The Single Lighting Regulation (SLR) documentation can be found in our download area. Oktalite Lichttechnik GmbH · Mathias-Brüggen-Str. 73 · 50829 Cologne · T 49 221 59767-0 · F 49 221 59767-40 · mail@oktalite.com · www.oktalite.com · 2022-11-07