

Motus Floor

motus is movement



Motus Floor-1 Black



Motus Floor-2 White



Motus Floor-2 Black



Motus Floor-1 White



Luxo Floor-1 Luxo Colour Concept



Luxo Floor-2 Luxo Colour Concept

Description

Motus is movement

The ingenious 3-way movement lets your hand seamlessly set the head of Motus Floor in any position.

Motus Floor

The floor version comes with a choice of arm. It is available with one or two joints, adding to the flexibility of the luminaire. Both versions have the characteristic cup-shaped lamp head, with symmetric light output and the same flexible joint between lamp head and arm. Freestanding luminaires are easy to move around, offering a great deal of flexibility when arranging the lighting scheme in a room.

Luxo Colour Concept

Motus Floor is available in the Luxo Colour Concept; please see available colours under technical description.

More information

Read more about the whole motus family and the Luxo Colour Concept here:

www.glamox.com/gsx/motus

www.glamox.com/gsx/colour-concept

Technical description

Light source LED 800 lumen out when at 4000K
 Colour rendition index (CRI) 90
 Dim to warm (D2W 4000-2700K), seamless dim
 Dims down to 10%

Body material & colour Motus Floor has a powder painted aluminium arm, head and base. Standard colours are black and white or any of the available colours in Luxo Colour Concept (Colour codes as below)

Estate Green - S 4520-G
 Pleasant Green - S 2520-G30Y
 Silk Teal - S 2015-B70G
 Mild Citrus - S 1015-G50Y

Optic Symmetric light output with opal diffuser.

Power supply Plug in 18W power supply
 100-240V, AC 50/60 Hz

Arm technology & movement Floor-1 - Fixed arm / 1054 mm height
 Floor-2 - Adjustable arm / 1010 mm height + 449 mm adjustable arm
 head Ø9,6cm

Pitch, Yaw & Roll* movement in head for effortless placement of head/light without any stop in motion

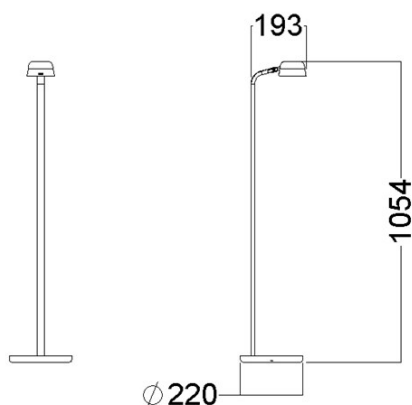
*Pitch (up-and-down) Yaw (side-to-side) Roll (side-up-side-down)

Motus Floor comes as standard with a floor base.

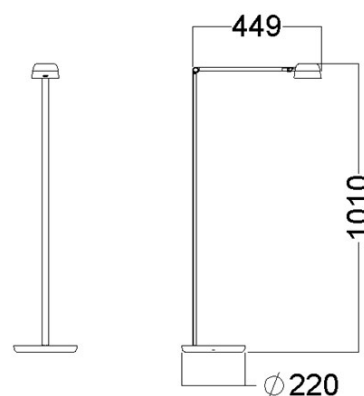
A shut-off function is integrated; the light will automatically shut-off after 9 hours.

This is programmable to 4 hours, see user manual for more information

Measurement drawings



Motus Floor1



Motus Floor2