

# A35-P

Timeless Elegance



A35-P555 WH

A35-P555 GR



A35-P555 BL

## Description

Glamox A35 is a decorative and versatile luminaire. The sharp, well-defined lines and the contrast between the die cast aluminium body and the opal diffuser gives the luminaire a clean-cut and strong look. The opal diffuser creates a soft light with low glare and the lack of a frame gives a soft transition from light to shadow.

## A35 Family

The A35 product family comprises a series of surface mounted luminaires in three different sizes (A35-S), as well as a pendant mounted luminaire (A35-P). By combining the different products in the family in clusters, you can create a unique interior design. All the products in the family are available in three different colours; black, grey and white.

## Glamox A35-P

Glamox A35-P is 555mm wide and has a slightly curved upper body, which gives the luminaire a harmonious and consistent expression from all angles. A separate LED module for up-light adds to the decorative effect. A35-P is ideal for applications such as social zones, reception areas, stairwells and other places where you want a discreet, but decorative luminaire.

# A35-P

Timeless Elegance



## Technical description

<b>Light source</b>	LED 4700 - 6000 lumen out, 15/85 light distribution up/down. Colour temperature 3000/4000 K. CRI/Ra 80, MacAdams 3.
<b>Driver</b>	Fixed output (HF), DALI dimmable (100-1%) Driver lifetime up to 100.000 h/10 % (max failure) at Ta 25°C.
<b>Body material &amp; colour</b>	IP20 rated with powder painted aluminium body in black, white or grey.
<b>Optic</b>	Opalic diffuser made out of polycarbonate.

**Sensors**

This product can be supplied with integrated sensors on request:  
SMR-SEN Microwave with relay based ON/OFF  
SMC-SEN Microwave with corridor function (100% light at presence and 10% light when no presence)

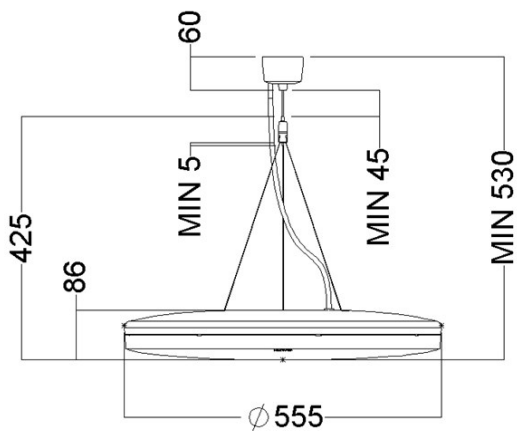
Sensors above are suited for a maximum height of six metres.  
For more information see user manual for each sensor under "Download".

**Emergency system**

Glamox A35-SP555 can be supplied with; Standard (S), Self-test (ST) or DALI. 1h or 3h emergency light on request.

A35-P is supplied with a 1,5m three-point wire mount, 2,5 metre transparent cable and a ceiling cup.

## Measurement drawings



A35-P555

# A35-P

Timeless Elegance



## Light measurement drawings

