

CONNECTS: CAP.LOOP INTERCONNECTION BOX

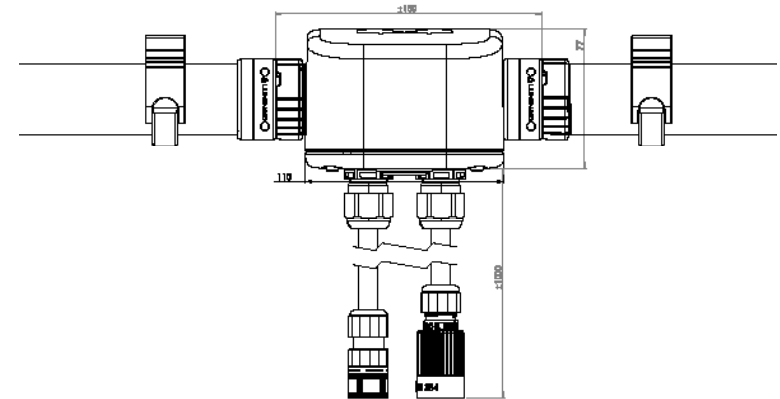
- With CAP.LOOP an additional external PSU driver can be installed in the light line. This allows the light line to be extended independently of the power of the first driver. Without interruptions and cabling of an additional external power supply from the outside.
- CAP.LOOP is easy to install with the Plug-and-Play connectors and fits into most fluted steel roof sheets when required.
- Power supply (AC) and dimming signal of the light line are interconnected so that the functionality of the entire line is retained.



Features

Dimensions box (LxWxH)	110 x 77 x 90 mm
Length of cables	+/- 1000 mm
IP class	IP65
IK class	IK07
Material	PS, PA
Temperature range	-25°C ~ +35°C
Weight	+/- 1,0 kg

artikel nr.: LUM-DL02LT-LPBX-0001



artikel nr.: LUM-DL02LT-LPBX-S001

