

Specifications

Housing material	Stainless steel
Surface finish	Powder coated
Cover material	Polycarbonate
LED type	Samsung LM561C, S6
Lifetime LED	80.000 hours (L90B10)
Lifetime fixture	30 years
Voltage	230 V
CRI	≥ 80
Dimmable	None DALI 1-10V
Future proof	Yes
Net efficiency	140 Lumen/Watt

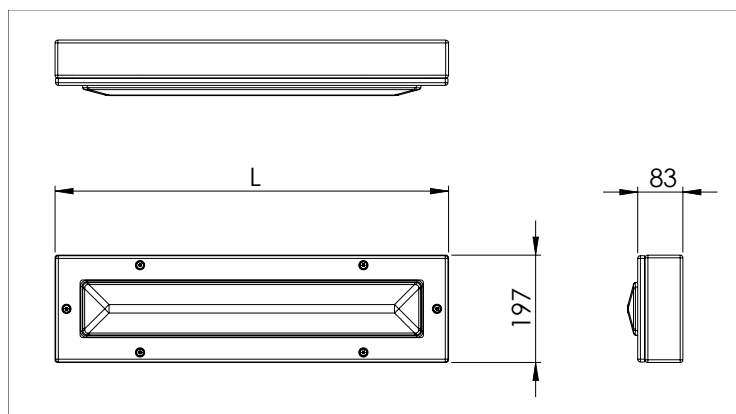


i These specifications can be customized on request, please contact us for more information

Type specific

Type	T3	T7	T13	T16
Light output	840 lm	1260 lm	2310 lm	3360 lm
Length (L)	375 mm	722 mm	1330 mm	1630 mm

Dimensions



Light characteristics

