

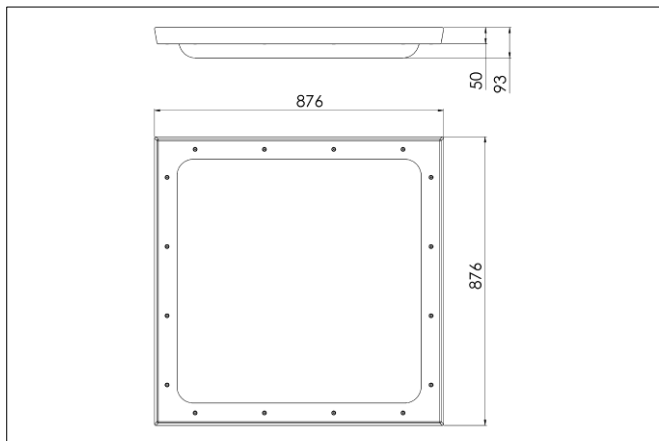
Specifications

Housing material	Stainless steel
Surface finish	Powder coated
Cover material	Polycarbonate
LED type	Samsung LM561C, S6
Lifetime LED	100.000 hours (L90B10)
Lifetime fixture	30 years
Voltage	230 V
CRI	≥ 80
Dimmable	None DALI 1-10V
Future proof	Yes
Net efficiency	140 Lumen/Watt
Max light output	5880 lm



 These specifications can be customized on request, please contact us for more information

Dimensions



Light characteristics

